

Forma A

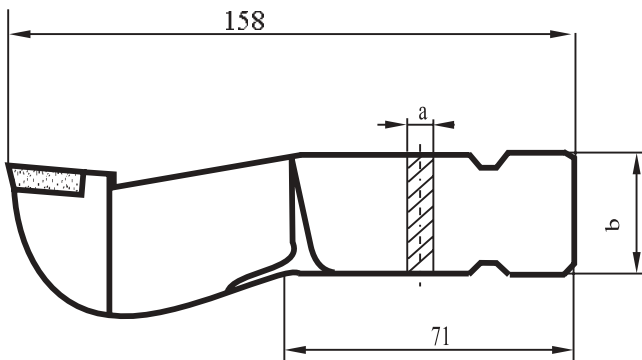
Simbol	D mm	G mm	L mm	B mm	l mm	d mm	Pret ()
1	2	3	4	5	6	7	8
22	32	22	140				
25	35	25	160				
32	45	32	160				
38	55	38	180				
45	65	45	200				
51	78	51	200				

Forma B

1	2	3	4	5	6	7	8
32S	45	32	152.5	25.3	71		
38S	55	38	170.5	31.3	80		

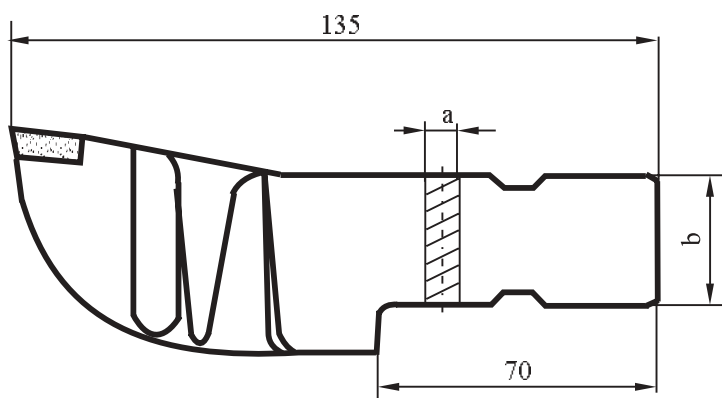
Forma C

1	2	3	4	5	6	7	8
32B	45	32	160		71	9.6	
38B	55	38	180		80	14	



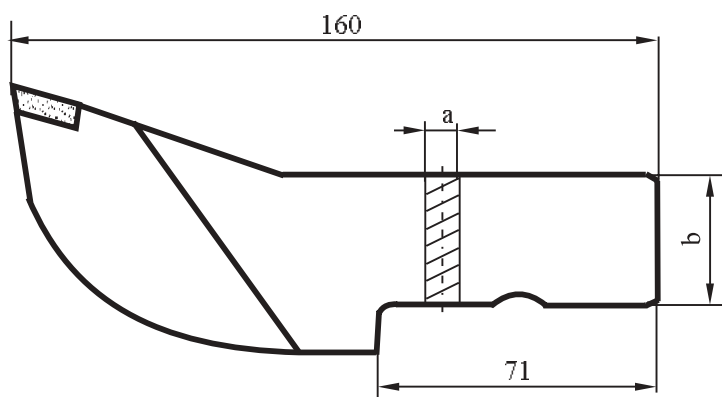
Simbol	a x b (mm)	Pret ()
--------	------------	----------

CMR 1	22 x 38	
-------	---------	--



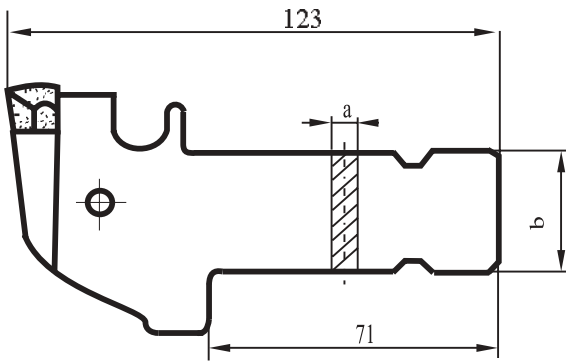
Simbol	a x b (mm)	Pret ()
--------	------------	----------

CMR 2	18 x 32	
-------	---------	--



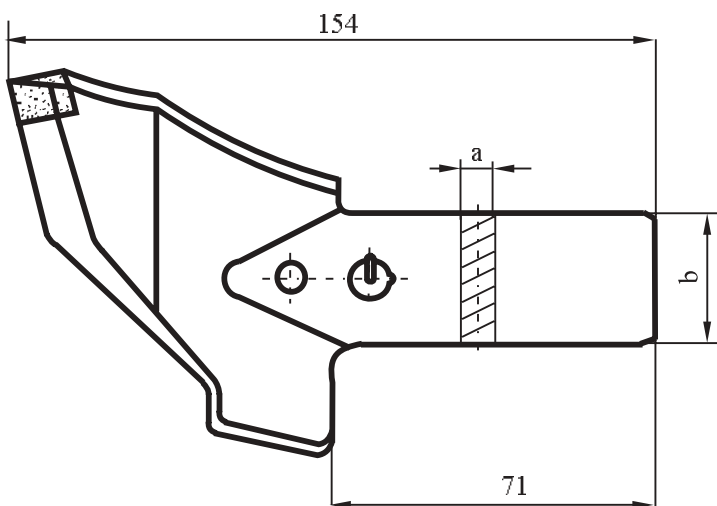
Simbol	a x b (mm)	Pret ()
--------	------------	----------

CMR 3	22 x 38	
-------	---------	--



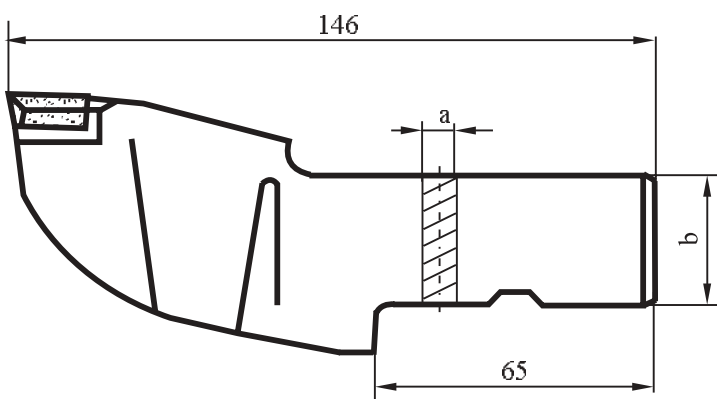
Simbol	a x b (mm)	Pret ()
--------	------------	----------

CMR 4	25.6 x 41.4	
-------	-------------	--



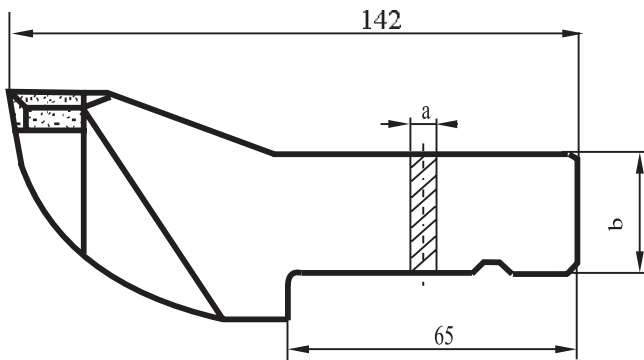
Simbol	a x b (mm)	Pret ()
--------	------------	----------

CMR 5	25.5 x 41.5	
-------	-------------	--



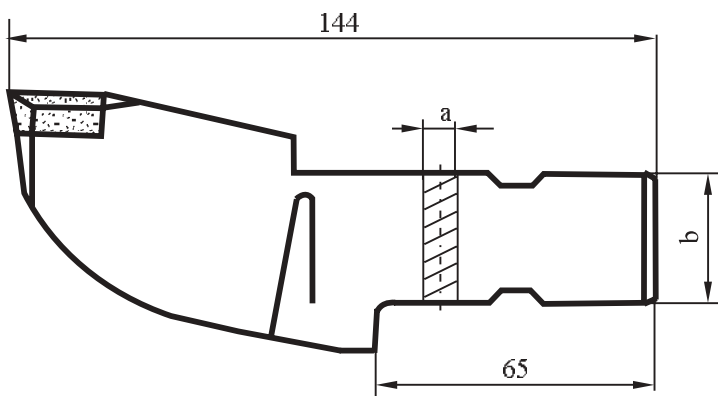
Simbol	a x b (mm)	Pret ()
--------	------------	----------

CMR 6	22 x 37.5	
-------	-----------	--



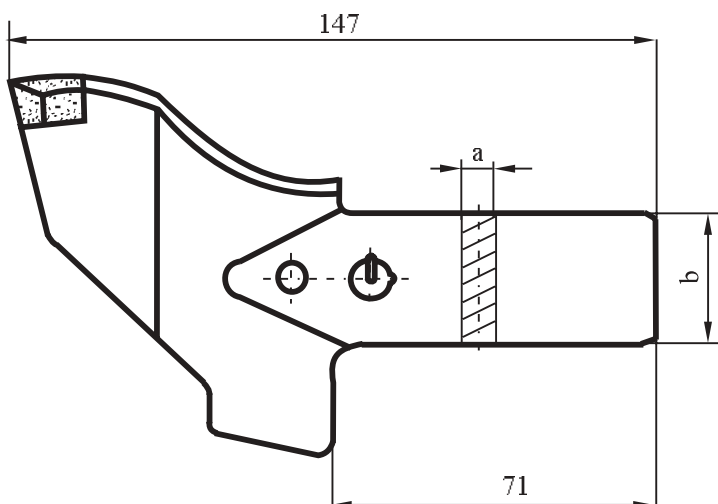
Simbol a x b (mm) Pret ()

CMR7 22 x 37.5



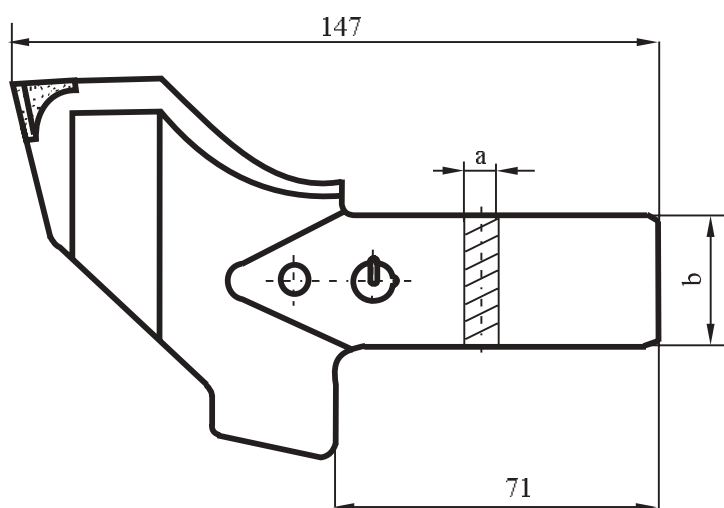
Simbol a x b (mm) Pret ()

CMR8 22 x 37.5



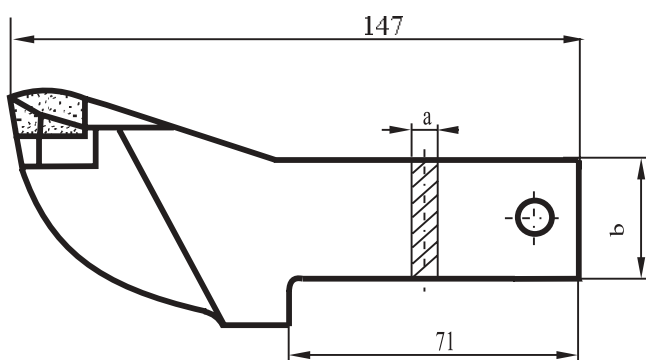
Simbol a x b (mm) Pret ()

CMR9 25.7 x 41.4



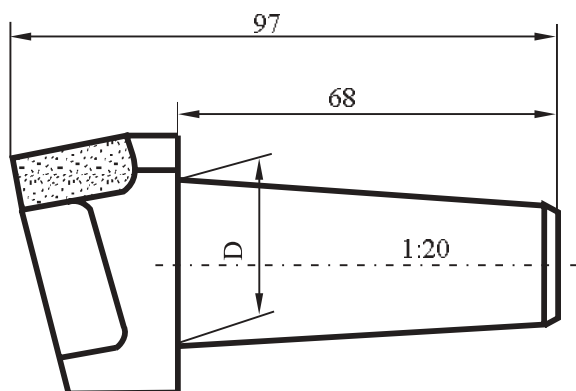
Simbol	a x b (mm)	Pret ()
--------	------------	----------

CMR 10	25.7 x 41.4	
--------	-------------	--



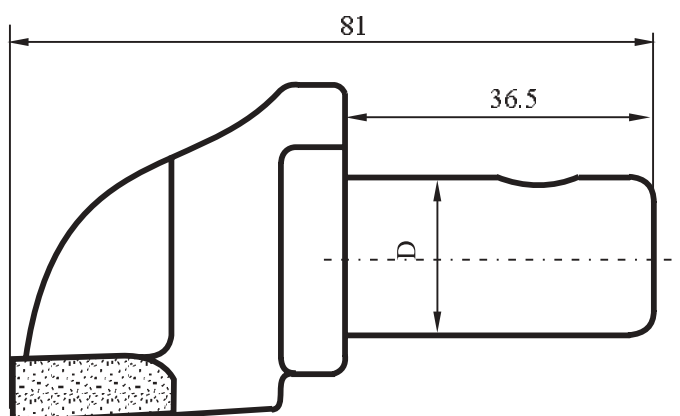
Simbol	a x b (mm)	Pret ()
--------	------------	----------

CMR 11	24 x 40	
--------	---------	--



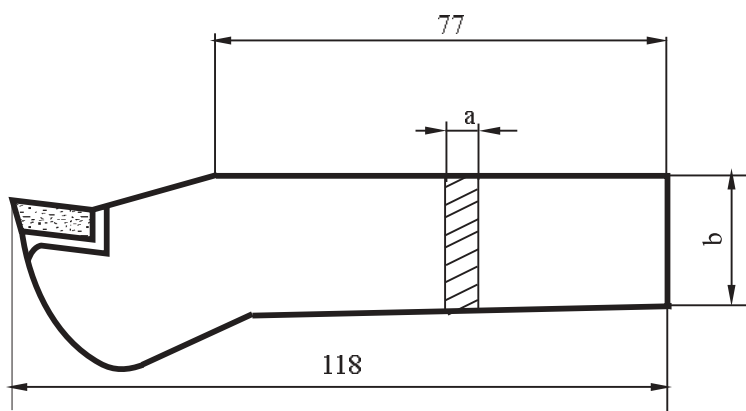
Simbol	D (mm)	Pret ()
--------	--------	----------

CMF1	25	
------	----	--



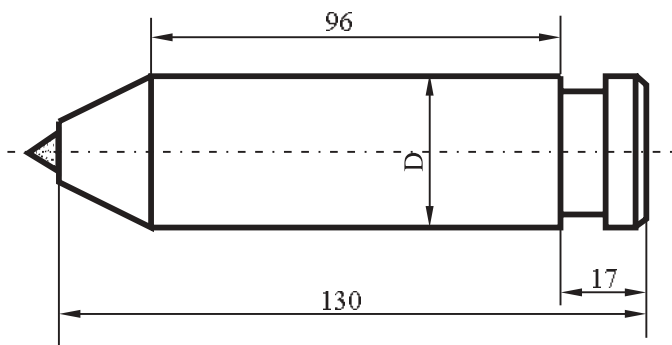
Simbol	D (mm)	Pret ()
--------	--------	----------

CMF2	25	
------	----	--



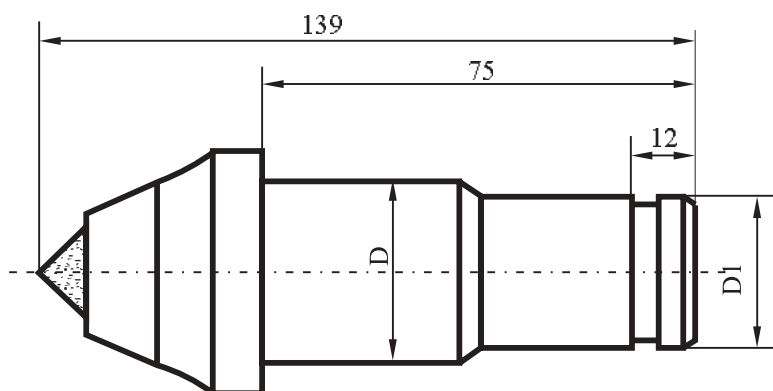
Simbol	a x b (mm)	Pret ()
--------	------------	----------

CMF3	15 x 33	
------	---------	--



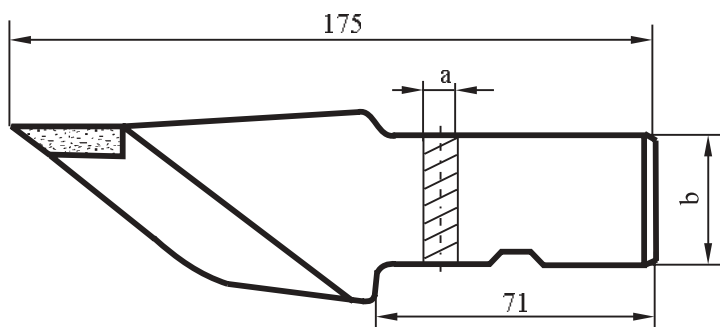
Simbol	D (mm)	Pret ()
--------	--------	----------

CMT 1	25	
-------	----	--



Simbol	D; D1 (mm)	Pret ()
--------	------------	----------

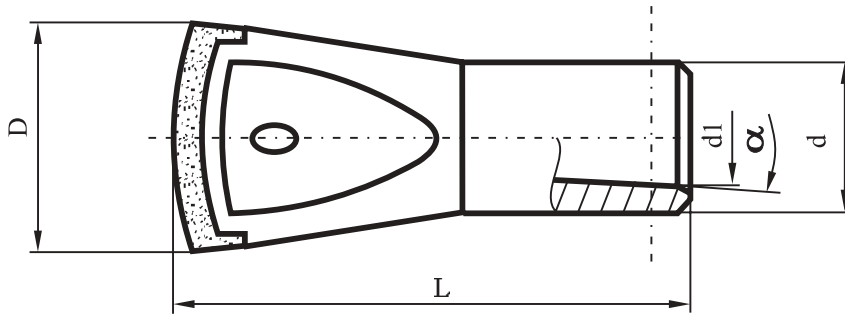
CMT 2	38; 30	
-------	--------	--



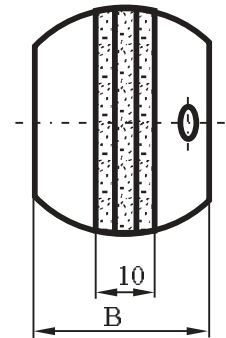
Simbol	a x b (mm)	Pret ()
--------	------------	----------

CMT 3	22 x 38	
-------	---------	--

STAS 7476-83

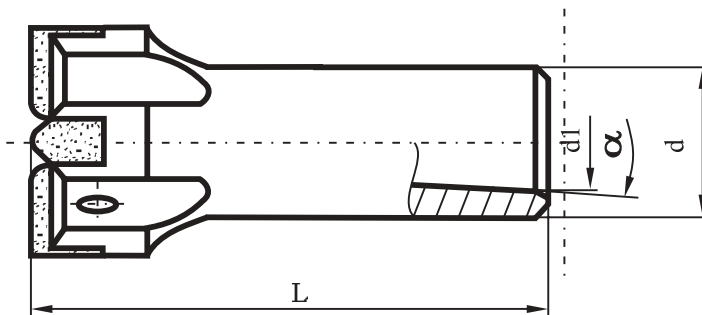


Tip DCP

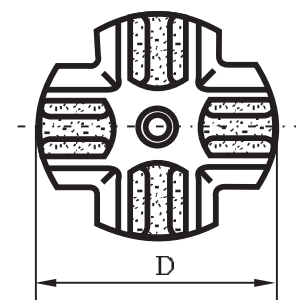


D mm	α	L mm	d mm	d1 mm	B mm	Pret ()
1	2	3	4	5	6	7
32	7°; 4°46'	86	28	22	28	
35	7°; 4°46'	86	30	22	30	
36	7°; 4°46'	86	30	22	30	
38	7°; 4°46'	86	32; 33	22; 25	32; 33	
40	7°; 4°46'	80	33	22; 25	32; 33	
42	7°; 4°46'	80	32	22; 25	33	

STAS 7476-83



Tip C.3.0.

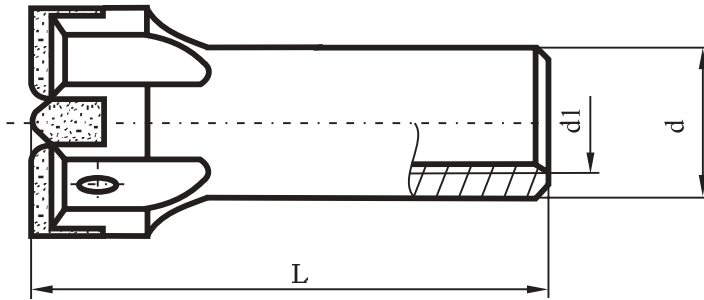


D mm	α	L mm	d mm	d1 mm	Pret ()
1	2	3	4	5	6
38	7°; 4°46'	75; 82	30 (34)	21.8 (25)	
41	7°; 4°46'	82; 85	32 (34)	21.8 (25)	
42	7°; 4°46'	95	37	28	

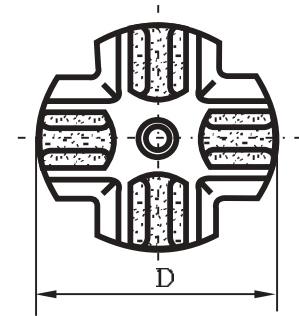


Cap detasabil pentru foraj rotopercutant
Detachable bits for rotary percussion drilling

STAS 7476-83

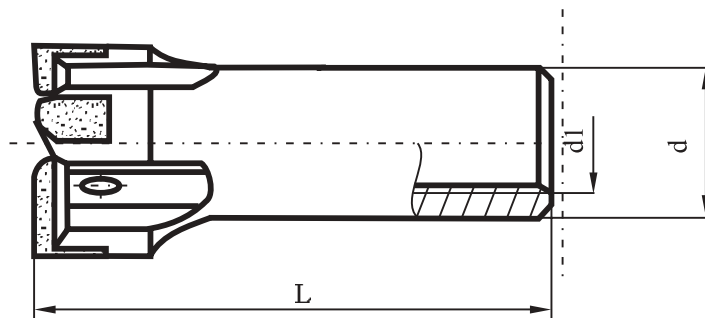


Tip C.5.0.

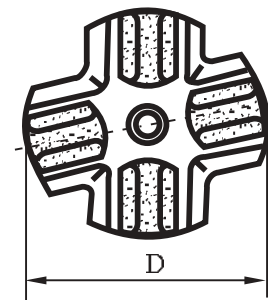


D mm	L mm	d mm	d1 mm	Pret ()
1	2	3	4	5
41	120	34	25	
45	120	38	25	
48	120; 129	42	25; 32	
51	120; 129	44	25; 32	
57	129	48	32	
64	145	50	32	
70	145; 155	54	32; 38	
76	145; 155	58	32; 38	

STAS 7476-83



Tip C.5.0X.



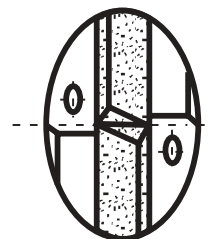
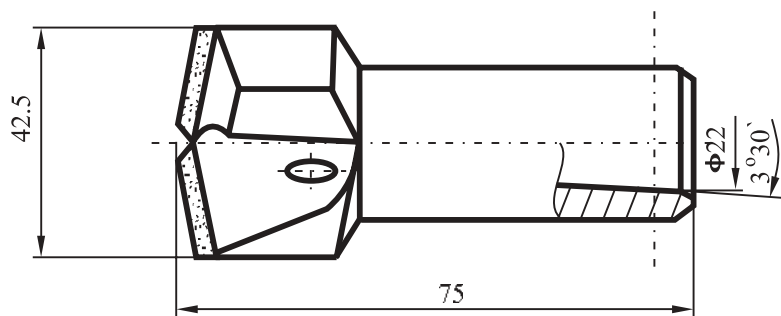
D mm	L mm	d mm	d1 mm	Pret ()
1	2	3	4	5
64	145	50	32; 38	
70	145	54	32; 38	
76	145	57	38; 45	
89	145	72	38; 45	
102	145; 160	80	38; 45	



Cap detasabil pentru foraj rotopercutant Detachable bits for rotary percussion drilling

STAS 7476-83

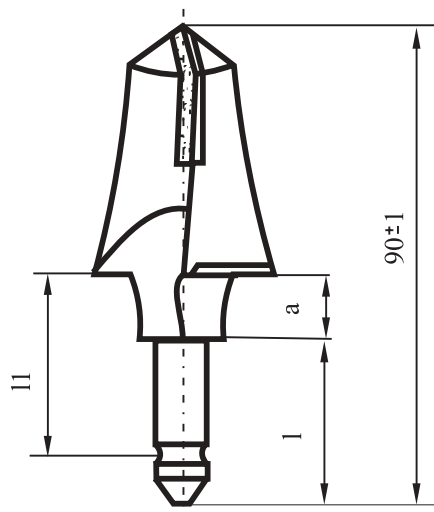
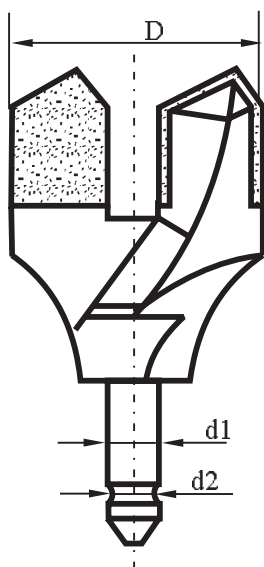
Tip C.2.T.



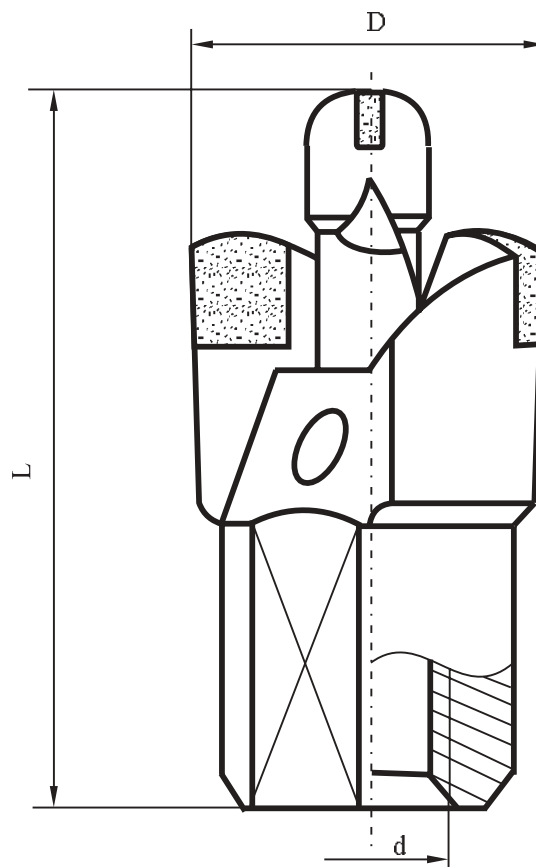
Cap detasabil pentru foraj rotativ Detachable bits for rotary drilling

STAS 7476-83

Tip CR



D mm	d1 mm	d2 max mm	l max mm	li mm	a mm	Pret ()
1	2	3	4	5	6	7
35	12.65; 12	9	34; 30	23	10	
38	12.65; 12	9	34; 30	23	10	
41	12.65; 12	9	34; 30	23	10	
43	12.65; 12	9	34; 30	23	10	



D mm	d	L mm
1	2	3
65	Rd 40x1/6"-25	135
80	Rd 40x1/6"-40	205
115	Rd 40x1/6"-40	205